

# Balun Transformers HB 001 Series



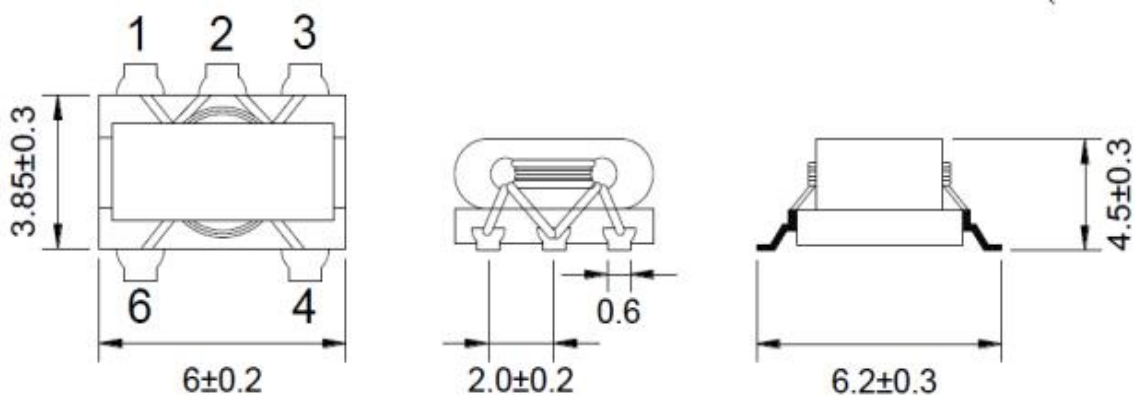
## Features

- Windings use paired wires for high uniformity  
Base pins are end processed to allow direct mounting on PCB.
- Excellent solderability and heat resistance.

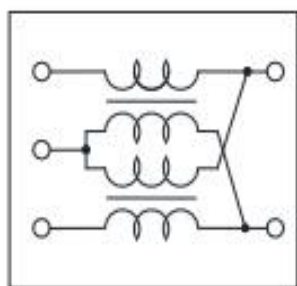
## Application

- Double balance mixers, broad-band transformers, impedance transformers, etc.

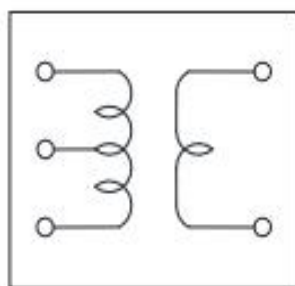
## Configurations & Dimensions



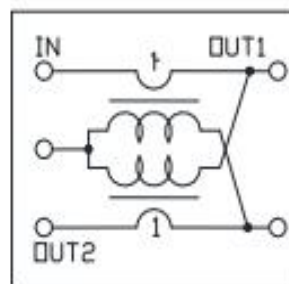
## Schematic



Double Balanced Mixer  
Fig.1



Mixer Transformer  
Fig.2



Distributor  
Fig.3



## Specifications HB001

Part Number	Winding Turns	Operating Frequency Range	Insertion Loss	Pin Connection Fig.
-------------	---------------	---------------------------	----------------	---------------------

Double Balanced Mixer

HB001-34T	3*4	8MHz~800MHz	3.5dB Max	1
HB001-24T	2*4	400MHz~1.3GHz	4dB Max	1
HB001-44T	4*4	6MHz~600MHz	2.5dB Max	1
HB001-54T	5*4	5MHz~500MHz	2dB Max	1
HB001-14T	1*4	50MHz~400MHz	10dB Max	1
HB001-24T	2*4	10MHz~1.0GHz	6dB Max	1

Frequency Mixer      Pri      Sec

HB001-323T	3*2	3	3.5MHz~470MHz	3dB Max	2
HB001-222T	2*2	2	9MHz~350MHz	3dB Max	2
HB001-121T	1*2	1		3dB Max	2
HB001-424T	4*2	4	2.2MHz~400MHz	3dB Max	2
HB001-525T	5*2	5	1.5MHz~300MHz	3dB Max	2
HB001-225T	2*2	5	5MHz~1500MHz	15B Max	2
HB001-336T-1	3*3	6	1MHz~75MHz	0.8B Max	2
HB001-226T	2*2	6	5MHz~100MHz	4.5B Max	2
HB001-228T	2*2	8	5MHz~85MHz	4.0B Max	2

Frequency Mixer

HB001-5T	5.0	6MHz~600MHz	IN to OUT-1 0.9dB Max	3
----------	-----	-------------	-----------------------	---

IN to OUT-2 13-16dB

HB001-6T	6.0	6MHz~600MHz	IN to OUT-1 0.8dB Max	3
----------	-----	-------------	-----------------------	---

IN to OUT-2 15-17dB

HB001-4T	4.0	6MHz~600MHz	IN to OUT-1 1.3dB Max	3
----------	-----	-------------	-----------------------	---

IN to OUT-2 11-14dB