

# Common Choke HEMC752 Series



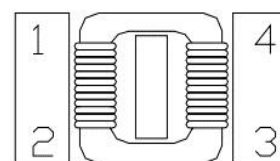
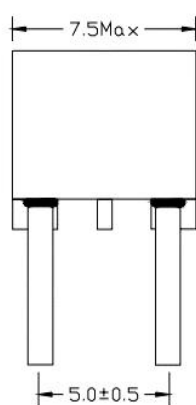
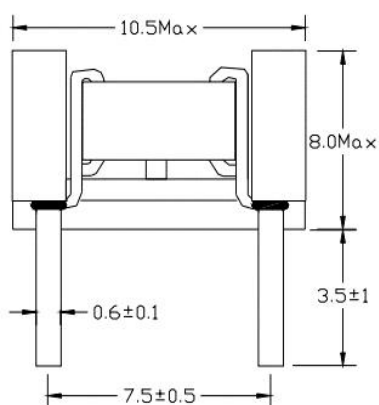
## Features

- Compact size high performance and low cost.
- Large impedance at high frequencies.
- Excellent high frequency characteristics.

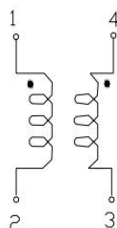
## Application

- Applied equipment: TV , VCR, Switching power NC machines, Computes systems and Measuring instruments.

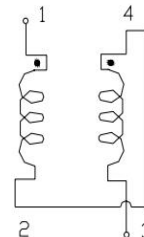
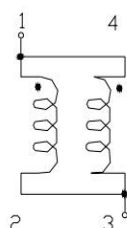
## Configurations & Dimensions



### CIRCUIT:



### TEST CIRCUIT:



## Specifcatons HEMC752

Part Number	PARALLEL			SERIES		
	Inductance (uH) @1KHz	Impedance (Ω) Min	DC Resistance (mΩ) max	Inductance (uH) @1KHz	Impedance (Ω) Min	DC Resistance (mΩ) max
HEMC752-200	20 ± 50%	540@250MHz	26	150 (Typ)	2000@70MHz	53
HEMC752-101	100 ± 35%	1200@100MHz	70	400 (Typ)	3800@50MHz	190

# Common Choke HEMC752 Series



## Impedance & Frequency

PARALLEL



SERIES

