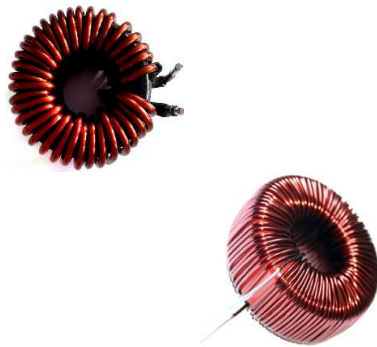


Sendust Cores inductance

HCS102125-270125 Series



Features

- Cast affection design.
- Suitable for high current
- Features a stable
- Conversion application.
- Easy PC board mounting

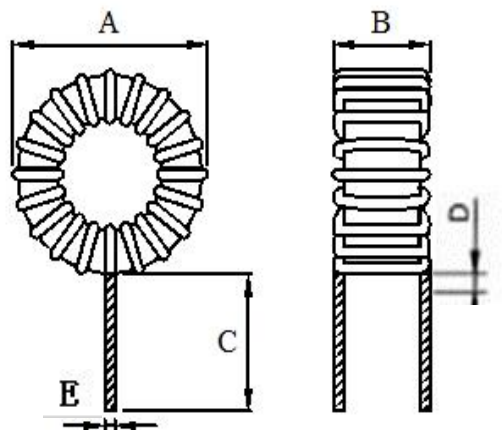
Application

- Switching power source Desk Top
Note Book Charger

Tolerance

- (K 10% , M 20%)

Configurations & Dimensions



Dimensions

Chip Size

Units:mm

TYPE	A max	B max	C min	D (max)	E(wire)
HCS102125	13.5	7.5	10.0	1.0	0.5-0.65
HCS127125	17.0	9.0	10.0	1.0	0.55-0.9
HCS166125	21.5	10.5	10.0	1.0	0.75-1.0
HCS203125	24.5	10.5	10.0	1.0	0.75-1.0
HCS229125	28.5	13.0	10.0	1.0	0.8-1.5
HCS270125	33.0	16.5	10.0	1.0	0.8-1.5



Speciflcations HCS102125

Part Number	Inductance (uH)	Test Frequency (KHz)	Isat (A) max	DC Resistance (mΩ Max)	WIRE (Ref)
HCS102125-T18	22	0.1V/100	4.50	23	0.65
HCS102125-T27	47	0.1V/100	3.00	41	0.60
HCS102125-T39	100	0.1V/100	2.10	78	0.50

Speciflcations HCS127125

Part Number	Inductance (uH)	Test Frequency (KHz)	Isat (A) max	DC Resistance (mΩ Max)	WIRE (Ref)
HCS127125-T29	47	0.1V/100	3.80	26	0.80
HCS127125-T42	100	0.1V/100	2.60	46	0.75
HCS127125-T52	150	0.1V/100	2.10	76	0.60
HCS127125-T74	300	0.1V/100	1.50	136	0.55

Speciflcations HCS166125

Part Number	Inductance (uH)	Test Frequency (KHz)	Isat (A) max	DC Resistance (mΩ Max)	WIRE (Ref)
HCS166125-T26	47	0.1V/100	5.50	18	1.00
HCS166125-T37	100	0.1V/100	3.80	40	0.80
HCS166125-T47	150	0.1V/100	3.00	61	0.75

Speciflcations HCS203125

Part Number	Inductance (uH)	Test Frequency (KHz)	Isat (A) max	DC Resistance (mΩ Max)	WIRE (Ref)
HCS203125-T26	47	0.1V/100	6.00	23	1.00
HCS203125-T38	100	0.1V/100	4.20	43	0.80
HCS203125-T57	220	0.1V/100	2.80	71	0.75



Speciflcations HCS229125

Part Number	Inductance (uH)	Test Frequency (KHz)	Isat (A) max	DC Resistance (mΩ Max)	WIRE (Ref)
HCS229125-T23	47	0.1V/100	8.30	10	1.50
HCS229125-T34	100	0.1V/100	5.60	36	0.90
HCS229125-T42	150	0.1V/100	4.50	56	0.80
HCS229125-T61	330	0.1V/100	3.10	76	0.80

Speciflcations HCS270125

Part Number	Inductance (uH)	Test Frequency (KHz)	Isat (A) max	DC Resistance (mΩ Max)	WIRE (Ref)
HCS270125-T17	47	0.1V/100	12.00	10	1.50
HCS270125-T26	100	0.1V/100	8.00	36	0.90
HCS270125-T38	150	0.1V/100	5.50	56	0.80
HCS270125-T55	330	0.1V/100	3.80	76	0.80