

Common mode filter inductance HRT633-3113 Series



Features

- Cast affection design.
- Suitable for high current
- Features a stable
- Conversion application.
- Easy PC board mounting

Application

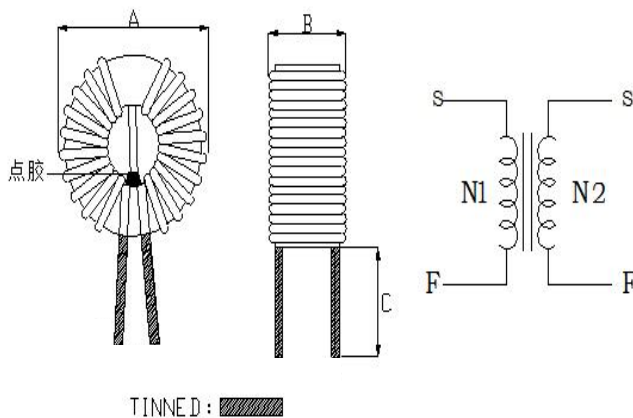
- Switching power source Desk Top
Note Book Charger

Tolerance

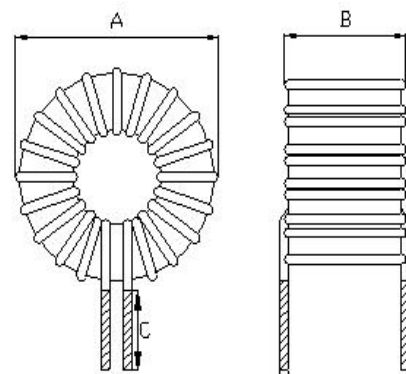
- (M 20% , N 30%)

Configurations & Dimensions

Symmetry around



Double and round



Dimensions

Chip Size

Units:mm

TYPE	A max	B max	C min
HRT633	8.0	5.0	5
HRT844	10.5	6.5	5
HRT954	12.0	7.0	5
HRT1004	13.5	7.0	5
HRT1204	15.0	7.3	5
HRT1405	18.0	9.0	5
HRT1605	20.0	10.0	5
HRT2208	28.0	13.5	5
HRT2512	31.5	18.0	5
HRT3113	38.0	18.5	5

Common mode filter inductance HRT633-1405 Series



Specifications HRT633

Part Number	Inductance (uH)	Test Frequency (KHz)	Isat (A) max	DC Resistance (mΩ Max)	WIRE&TURN
HRT633-601N	600	0.1V/10	1.00	87	0.24φ*2*12T
HRT633-901N	900	0.1V/10	0.80	120	0.2φ*2*15T

Specifications HRT844

Part Number	Inductance (uH)	Test Frequency (KHz)	Isat (A) max	DC Resistance (mΩ Max)	WIRE&TURN
HRT844-102N	1000	0.1V/10	1.50	59	0.32φ*2*14T
HRT844-851N	850	0.1V/10	0.80	430	0.2φ*2*40T

Specifications HRT954

Part Number	Inductance (uH)	Test Frequency (KHz)	Current (A) max	DC Resistance (mΩ Max)	WIRE&TURN
HRT954-471N	470	0.1V/10	2.60	15	0.45φ*2*8T
HRT954-102N	1000	0.1V/10	2.20	38	0.4φ*2*12T
HRT954-202N	2000	0.1V/10	1.50	78	0.32φ*2*18T

Specifications HRT1004

Part Number	Inductance (uH)	Test Frequency (KHz)	Current (A) max	DC Resistance (mΩ Max)	WIRE&TURN
HRT1004-152N	1500	0.1V/10	2.20	85	0.4φ*20T*2
HRT1004-302N	3000	0.1V/10	1.50	125	0.32φ*30T*2
HRT1004-562N	5600	0.1V/10	0.80	360	0.2φ*37T*2

Specifications HRT1204

Part Number	Inductance (uH)	Test Frequency (KHz)	Current (A) max	DC Resistance (mΩ Max)	WIRE&TURN
HRT1204-501N	500	0.1V/10	4.10	15	0.6φ*9T*2
HRT1204-332N	3300	0.1V/10	2.20	72	0.4φ*24T*2
HRT1204-402N	4000	0.1V/10	1.50	118	0.32φ*26T*2

Specifications HRT1405

Part Number	Inductance (uH)	Test Frequency (KHz)	Isat (A) max	DC Resistance (mΩ Max)	WIRE&TURN
HRT1405-401N	400	0.1V/10	7.50	10	0.9φ*10*2T
HRT1405-601N	600	0.1V/10	6.30	36	0.8φ*11*2T
HRT1405-152N	1500	0.1V/10	3.50	56	0.55φ*16*2T

Common mode filter inductance

HRT1605-3113 Series



Specifications HRT1605

Part Number	Inductance (uH)	Test Frequency (KHz)	Isat (A) max	DC Resistance (mΩ Max)	WIRE&TURN
HRT1605-501N	500	0.1V/10	7.50	10	0.9φ*10*2T
HRT1605-162N	1600	0.1V/10	6.30	21	0.8φ*18*2T
HRT1605-602N	6000	0.1V/10	2.20	123	0.4φ*32*2T

Specifications HRT2208

Part Number	Inductance (uH)	Test Frequency (KHz)	Isat (A) max	DC Resistance (mΩ Max)	WIRE&TURN
HRT2208-681N	680	0.1V/10	16.00	5	1.5φ*10*2T
HRT2208-102N	1000	0.1V/10	11.40	8	1.2φ*12*2T
HRT2208-682N	6800	0.1V/10	6.30	63	0.8φ*31*2T

Specifications HRT2512

Part Number	Inductance (mH)	Test Frequency (KHz)	Current (A) max	DC Resistance (mΩ Max)	WIRE&TURN
HRT2512-122N	1.2	0.1V/10	16.00	6.5	1.5φ*10*2T
HRT2512-172N	1.7	0.1V/10	11.40	12	1.2φ*13*2T
HRT2512-103N	10	0.1V/10	7.50	66	0.9φ*30*2T

Specifications HRT3113

Part Number	Inductance (mH)	Test Frequency (KHz)	Current (A) max	DC Resistance (mΩ Max)	WIRE&TURN
HRT3113-272N	2.7	0.1V/10	16.00	11	1.5φ*14*2T
HRT3113-372N	3.7	0.1V/10	11.40	20	1.2φ*16*2T
HRT3113-203N	20	0.1V/10	7.50	26	0.9φ*36*2T