

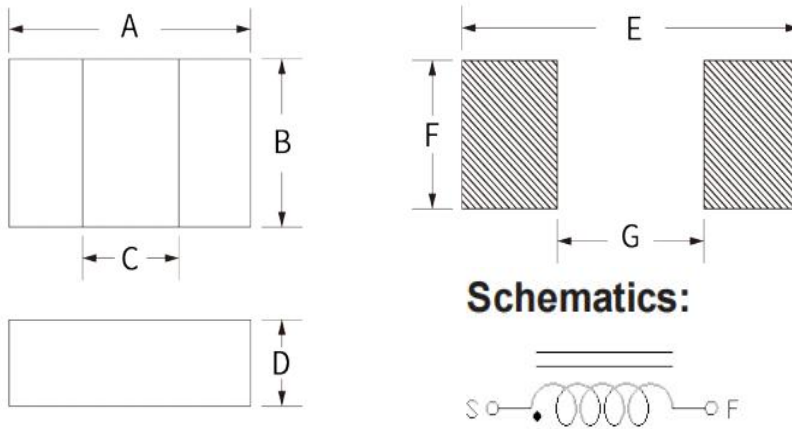
# EMC Components HSEA201610 Series



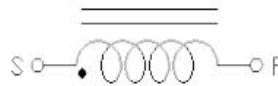
## Features

- Halogen Free.
- 125°C maximum total temperature operation.
- Magnetically shielded, low EMI.
- High current carrying capacity, Low core losses.
- RoHS compliant.

## Configurations & Dimensions



## Schematics:



## Dimensions

## Chip Size

## Units:mm

TYPE	A	B	C	D	E	F	G
HSEA201610	2.0±0.2	1.6±0.2	0.6Typ	1.0Max	0.5	1.6	2.0

## Specifications HSEA201610

Part Number	L (uH) 1MHz/1v	IDC (Amp)	IDC (Amp)	Lsat (Amp)	Lsat (Amp)	DCR (mΩ)	DCR (mΩ)
	±20%	max	Typ	max	Typ	Typ	max
HSEA201610-R24M	0.24	5.5	6.3	6.3	7.2	16	20
HSEA201610-R33M	0.33	4.0	4.7	5.5	6.1	21	26
HSEA201610-R47M	0.47	4.2	4.6	4.8	5.3	26	32
HSEA201610-R68M	0.68	3.7	4.2	3.8	4.2	36	43
HSEA201610-1R0M	1.00	2.7	3.3	3.0	3.5	48	57
HSEA201610-2R2M	2.20	1.9	2.1	2.1	2.3	115	138
HSEA201610-4R7M	4.70	1.1	1.3	1.6	1.8	240	288

## Product description:

- Voltage Regulator Module (VRM).
- Multi-phase regulators.
- SSD modules.
- Data networking and storage systems
- Notebook regulators.
- DC/DC converter.
- Point-of-load modules.
- Battery power systems.
- Cellular phones, LCD displays,
- HDDs. Smart phone POL modules.

# EMC Components HSEA252012 Series

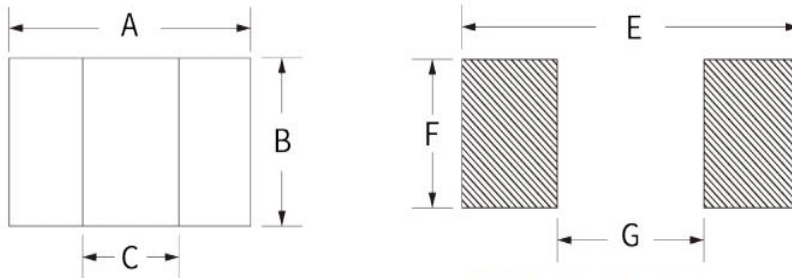


## Features

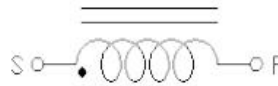
- Halogen Free.
- 125°C maximum total temperature operation.
- Magnetically shielded, low EMI.
- High current carrying capacity, Low core losses.
- RoHS compliant.



## Configurations & Dimensions



## Schematics:



## Dimensions

## Chip Size

## Units:mm

TYPE	A	B	C	D	E	F	G
HSEA252012	2.5±0.2	2.0±0.2	0.7Typ	1.2Max	2.6	2.1	0.6

## Specifications HSEA252012

Part Number	L (uH) 1MHz/1v	IDC (Amp)	IDC (Amp)	Lsat (Amp)	Lsat (Amp)	DCR (mΩ)	DCR (mΩ)
	± 20%	max	Typ	max	Typ	Typ	max
HSEA252012-R33M	0.33	5.1	6.0	7.6	8.5	14	19
HSEA252012-R47M	0.47	5.5	6.1	6.7	7.3	17	21
HSEA252012-R68M	0.68	5.0	5.5	6.0	6.3	25	30
HSEA252012-1R0M	1.00	3.9	4.2	5.0	5.4	35	42
HSEA252012-1R5M	1.50	3.2	3.6	3.4	3.6	53	61
HSEA252012-2R2M	2.20	2.7	3.0	3.0	3.3	68	82
HSEA252012-3R3M	3.30	1.8	2.1	2.5	2.8	110	135
HSEA252012-4R7M	4.70	1.5	1.8	2.1	2.4	160	190

## Product description:

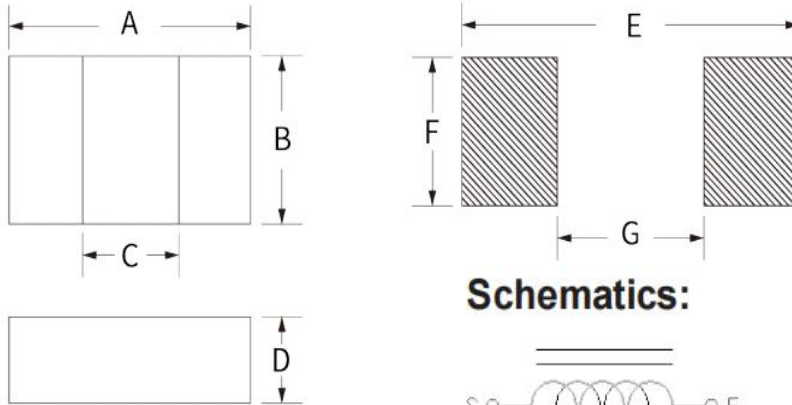
- Voltage Regulator Module (VRM).
- Multi-phase regulators.
- SSD modules.
- Data networking and storage systems
- Notebook regulators.
- DC/DC converter.
- Point-of-load modules.
- Battery power systems.
- Cellular phones, LCD displays,
- HDDs. Smart phone POL modules.



## Features

- Halogen Free.
- 125°C maximum total temperature operation.
- Magnetically shielded, low EMI.
- High current carrying capacity, Low core losses.
- RoHS compliant.

## Configurations & Dimensions



### Dimensions

### Chip Size

### Units:mm

TYPE	A	B	C	D	E	F	G
HSEA322512	3.2±0.2	2.5±0.2	1.7Typ	1.2Max	3.7	2.8	1.8

## Specifications HSEA322512

Part Number	L (uH) 1MHz/1v	IDC (Amp)	IDC (Amp)	Lsat (Amp)	Lsat (Amp)	DCR (m Ω)	DCR (m Ω)
	±20%	max	Typ	max	Typ	Typ	max
HSEA322512-R47M	0.47	2.2	5.7	7.0	7.7	18	22
HSEA322512-1ROM	1.0	3.9	4.3	4.7	5.4	28	34
HSEA322512-2R2M	2.2	2.7	3.0	3.5	4.0	62	73

### Product description:

- Voltage Regulator Module (VRM).
- SSD modules.
- Notebook regulators.
- Point-of-load modules.
- Cellular phones, LCD displays,
- Multi-phase regulators.
- Data networking and storage systems
- DC/DC converter.
- Battery power systems.
- HDDs. Smart phone POL modules.