



### Features

- Magnetically shielded construction
- Compact and thin
- Large Current and Low DCR

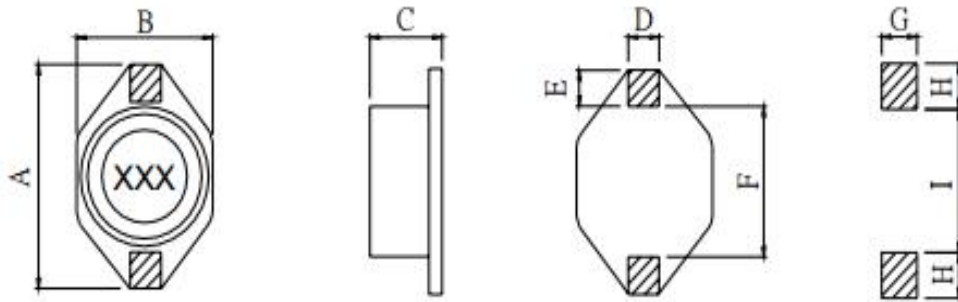
### Application

- Notebook, DC/DC converter, Communication products

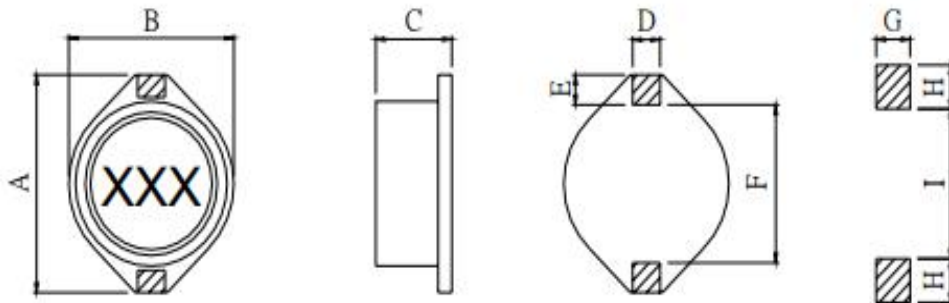
### Tolerance

- ( K 10%, L 15%, M 20%, N 30% )

### Configurations & Dimensions



HC0804R



HC1206R

### Dimensions

### Chip Size

### Units:mm

TYPE	A	B	C	D	E	F	G	H	I
HC0804R	12.95max	9.4max	5.21max	2.5	2.5	7.62	2.79	2.92	7.37
HC1206R	18.7max	15.5max	7.5max	2.54	2.5	12.7	2.79	2.92	12.45

Design as Customer's Requested Specifications.



## Speciflcations HC0804R

Part Number	Inductance (uH)	Tolerance (%)	Test Frequency (KHz)	DCR (Ω) max	Isat (A) max	Irms (A) max
HC0804R-1R0N	1.0	30	0.1V/100	0.021	5.60	5.00
HC0804R-1R5N	1.5	30	0.1V/100	0.022	5.20	4.50
HC0804R-2R2N	2.2	30	0.1V/100	0.032	5.00	3.80
HC0804R-3R3N	3.3	30	0.1V/100	0.039	3.90	3.30
HC0804R-4R7N	4.7	30	0.1V/100	0.054	3.20	2.70
HC0804R-6R8N	6.8	30	0.1V/100	0.075	2.80	2.20
HC0804R-100M	10	20	0.1V/100	0.101	2.40	2.00
HC0804R-150M	15	20	0.1V/100	0.150	2.00	1.50
HC0804R-220M	22	20	0.1V/100	0.207	1.60	1.30
HC0804R-330M	33	20	0.1V/100	0.334	1.40	1.10
HC0804R-470M	47	20	0.1V/100	0.472	1.00	0.80
HC0804R-560M	56	20	0.1V/100	0.650	0.90	0.70
HC0804R-680M	68	20	0.1V/100	0.715	0.80	0.70

**Note:** Isat:Based on inductance change ( $\Delta L/L_0 \leq 10\%$ )@ambient temp. 25°C



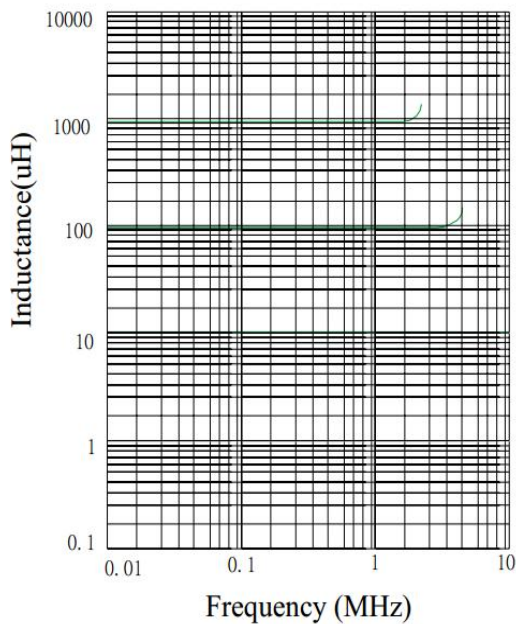
## Specifications HC1206R

Part Number	Inductance (uH)	Tolerance (%)	Test Frequency (KHz)	DCR (Ω) max	Isat (A) max	Irms (A) max
HC1206R-100M	10	20	0.1V/100	0.040	8.00	3.90
HC1206R-120M	12	20	0.1V/100	0.043	7.50	3.60
HC1206R-150M	15	20	0.1V/100	0.048	7.00	3.40
HC1206R-220M	22	20	0.1V/100	0.059	6.00	3.10
HC1206R-270M	27	20	0.1V/100	0.065	5.50	3.00
HC1206R-330M	33	20	0.1V/100	0.075	5.00	2.80
HC1206R-470M	47	20	0.1V/100	0.097	4.00	2.40
HC1206R-680M	68	20	0.1V/100	0.138	3.00	2.00
HC1206R-101M	100	20	0.1V/100	0.207	2.40	1.70
HC1206R-121M	120	20	0.1V/100	0.260	2.30	1.50
HC1206R-151M	150	20	0.1V/100	0.293	2.10	1.30
HC1206R-221M	220	20	0.1V/100	0.47	1.90	1.10
HC1206R-331M	330	20	0.1V/100	0.78	1.10	0.86
HC1206R-471M	470	20	0.1V/100	1.08	1.10	0.73
HC1206R-681M	680	20	0.1V/100	1.40	0.96	0.64
HC1206R-102M	1000	20	0.1V/100	2.01	0.80	0.53

**Note:** Isat: Based on inductance change ( $\Delta L/L_0 \leq 15\%$ ) @ ambient temp. 25°C

## HC1206R Series

Typical L vs Frequency



Typical L vs Current

