



Features

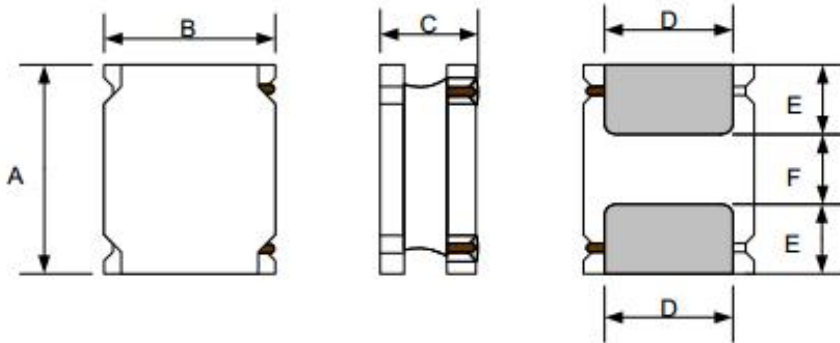
- Magnetically shielded construction
- Compact and thin
- Large Current and Low DCR

Application

- DC-DC converter of portable equipment.
- Camcorder, LCD television set, Digital camera, P.D.A., Notebook.

Dimensions

Chip Size	Units:mm
A	2.0 ± 0.15
B	1.6 ± 0.15
C	1.0 max
D	1.5 ± 0.2
E	0.8 ± 0.2
F	0.8 ± 0.2



Specifications

Part Number	Inductance (uH)	Tolerance (%)	Test Frequency (KHz)	DCR (Ω) max	Isat (A) (max)	Irms (A) (max)
HNR201610-R24N	0.24	30	1V/100	0.040	3.70	2.90
HNR201610-R33N	0.33	30	1V/100	0.048	2.50	2.90
HNR201610-R47N	0.47	30	1V/100	0.059	2.30	2.35
HNR201610-R68N	0.68	30	1V/100	0.076	1.95	2.05
HNR201610-1R0N	1.0	30	1V/100	0.114	1.65	1.45
HNR201610-1R5M	1.5	30	1V/100	0.215	1.35	1.20
HNR201610-2R2M	2.2	20	1V/100	0.264	1.20	1.10
HNR201610-3R3M	3.3	20	1V/100	0.335	0.90	0.88
HNR201610-4R7M	4.7	20	1V/100	0.479	0.70	0.74
HNR201610-6R8M	6.8	20	1V/100	0.816	0.60	0.52
HNR201610-100M	10	20	1V/100	1.020	0.50	0.45

Note:

Isat:Based on inductance change ($\Delta L/L_0 \leq 30\%$)@ambient temp. 25°C

Irms:Based on temperature rise ($\Delta T:40^\circ\text{C typ}$)

Sealed Type Power Inductors HNR 252010 Series



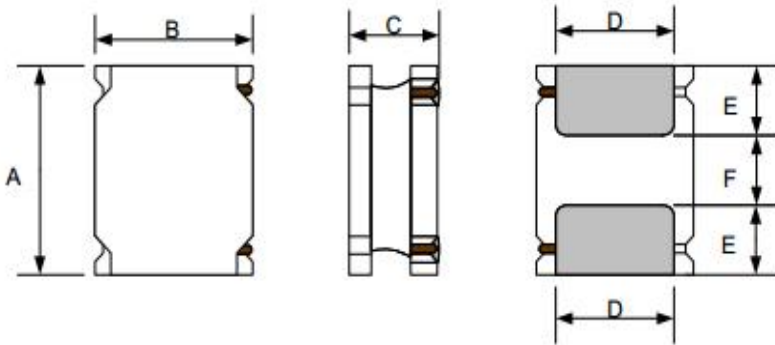
Features

- Magnetically shielded construction
- Compact and thin
- Large Current and Low DCR

Application

- DC-DC converter of portable equipment.
- Camcorder, LCD television set, Digital camera, P.D.A., Notebook.

Dimensions



Chip Size	Units:mm
A	2.5±0.1
B	2.0±0.1
C	1.0 max
D	1.5±0.2
E	0.8±0.2
F	0.8±0.2

Specifications

Part Number	Inductance (uH)	Tolerance (%)	Test Frequency (KHz)	DCR (Ω) ±20%	Isat (A) (max)	Irms (A) (max)
HNR252010-R47N	0.47	30	1V/100	0.055	1.80	2.10
HNR252010-R68N	0.68	30	1V/100	0.074	2.75	2.00
HNR252010-1R0N	1.0	30	1V/100	0.108	2.20	1.65
HNR252010-1R5M	1.5	30	1V/100	0.182	2.10	1.30
HNR252010-2R2M	2.2	20	1V/100	0.209	1.60	1.20
HNR252010-3R3M	3.3	20	1V/100	0.328	1.30	0.90
HNR252010-4R7M	4.7	20	1V/100	0.563	1.15	0.70
HNR252010-6R8M	6.8	20	1V/100	0.892	0.92	0.59
HNR252010-100M	10	20	1V/100	1.092	0.78	0.50

Note:

Isat:Based on inductance change ($\Delta L/L_0 \leq 30\%$)@ambient temp. 25°C

Irms:Based on temperature rise ($\Delta T:40^\circ\text{C typ}$)

Sealed Type Power Inductors HNR 252012 Series



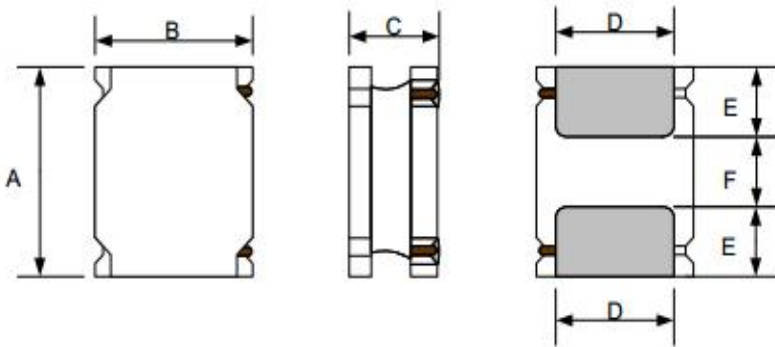
Features

- Magnetically shielded construction
- Compact and thin
- Large Current and Low DCR

Application

- DC-DC converter of portable equipment.
- Camcorder, LCD television set, Digital camera, P.D.A., Notebook.

Dimensions



Chip Size	Units:mm
A	2.5±0.1
B	2.0±0.1
C	1.2 max
D	1.5±0.2
E	0.8±0.2
F	0.8±0.2

Specifications

Part Number	Inductance (uH)	Tolerance (%)	Test Frequency (KHz)	DCR (Ω) ±20%	Isat (A) (max)	Irms (A) (max)
HNR252012-R47N	0.47	30	1V/100	0.056	4.27	2.15
HNR252012-R68N	0.68	30	1V/100	0.068	3.68	1.95
HNR252012-1R0N	1.0	30	1V/100	0.083	2.90	1.93
HNR252012-1R5N	1.5	30	1V/100	0.136	2.51	1.40
HNR252012-2R2M	2.2	20	1V/100	0.199	2.07	1.15
HNR252012-3R3M	3.3	20	1V/100	0.244	1.80	1.04
HNR252012-4R7M	4.7	20	1V/100	0.348	1.25	0.84
HNR252012-6R8M	6.8	20	1V/100	0.536	1.09	0.69
HNR252012-100M	10	20	1V/100	0.637	0.88	0.62
HNR252012-150M	15	20	1V/100	1.469	0.77	0.42
HNR252012-220M	22	20	1V/100	1.824	0.59	0.38

Note:

Isat:Based on inductance change ($\Delta L/L_0 \leq 30\%$)@ambient temp. 25°C

Irms:Based on temperature rise ($\Delta T:40^\circ\text{C typ}$)

Sealed Type Power Inductors HNR 3010 Series



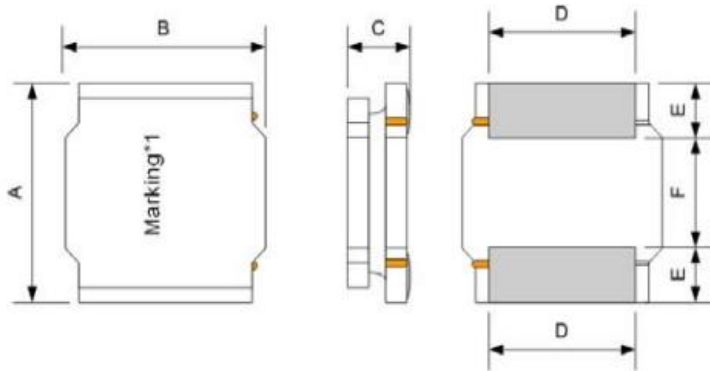
Features

- Magnetically shielded construction
- Compact and thin
- Large Current and Low DCR

Application

- DC-DC converter of portable equipment.
- Camcorder, LCD television set, Digital camera, P.D.A., Notebook.

Dimensions



Chip Size	Units:mm
A	3.00±0.20
B	3.00±0.20
C	1.0 max
D	2.5±0.2
E	0.75±0.2
F	1.5±0.2

Specifications

Part Number	Inductance (uH)	Tolerance (%)	Test Frequency (KHz)	DCR (Ω) ±20%	Isat (A) (max)	Irms (A) (max)
HNR3010-1R0N	1.0	30	1V/100	0.055	1.80	2.10
HNR3010-1R5N	1.5	30	1V/100	0.070	1.50	1.90
HNR3010-2R2M	2.2	20	1V/100	0.090	1.30	1.70
HNR3010-3R3M	3.3	20	1V/100	0.130	1.10	1.50
HNR3010-4R7M	4.7	20	1V/100	0.170	0.90	1.30
HNR3010-6R8M	6.8	20	1V/100	0.260	0.77	1.00
HNR3010-100M	10	20	1V/100	0.350	0.63	0.80
HNR3010-150M	15	20	1V/100	0.510	0.54	0.70
HNR3010-220M	22	20	1V/100	0.750	0.43	0.60

Note:

Isat:Based on inductance change ($\Delta L/L_0 \leq 30\%$)@ambient temp. 25°C

Irms:Based on temperature rise ($\Delta T:40^\circ\text{C typ}$)

Sealed Type Power Inductors HNR 3012 Series



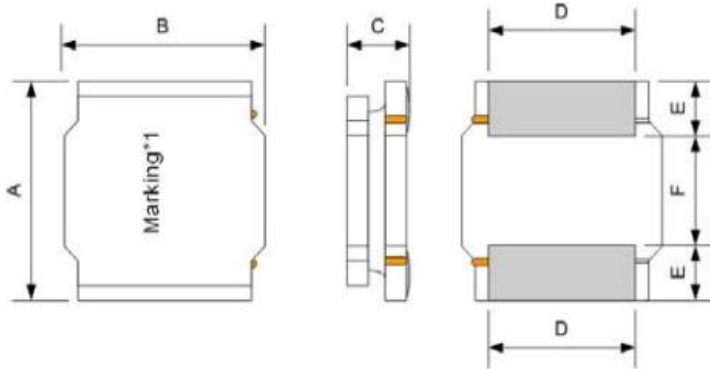
Features

- Magnetically shielded construction
- Compact and thin
- Large Current and Low DCR

Application

- DC-DC converter of portable equipment.
- Camcorder, LCD television set, Digital camera, P.D.A., Notebook.

Dimensions



Chip Size	Units:mm
A	3.00±0.20
B	3.00±0.20
C	1.2 max
D	2.5±0.2
E	0.75±0.2
F	1.5±0.2

Specifications

Part Number	Inductance (uH)	Tolerance (%)	Test Frequency (KHz)	DCR (Ω) ±20%	Isat (A) (max)	Irms (A) (max)
HNR3012-1R0N	1.0	30	1V/100	0.042	2.15	2.00
HNR3012-1R5N	1.5	30	1V/100	0.056	1.70	1.85
HNR3012-2R2M	2.2	20	1V/100	0.080	1.50	1.70
HNR3012-3R3M	3.3	20	1V/100	0.100	1.20	1.55
HNR3012-4R7M	4.7	20	1V/100	0.130	1.05	1.30
HNR3012-6R8M	6.8	20	1V/100	0.180	0.90	1.05
HNR3012-100M	10	20	1V/100	0.245	0.76	0.89
HNR3012-150M	15	20	1V/100	0.386	0.62	0.74
HNR3012-220M	22	20	1V/100	0.580	0.49	0.61
HNR3012-330M	33	20	1V/100	1.920	0.36	0.45
HNR3012-470M	47	20	1V/100	2.400	0.32	0.38
HNR3012-680M	68	20	1V/100	3.840	0.23	0.30

Note:

Isat:Based on inductance change ($\Delta L/L_0 \leq 30\%$)@ambient temp. 25°C

Irms:Based on temperature rise ($\Delta T:40^\circ\text{C typ}$)

Sealed Type Power Inductors HNR 3015 Series



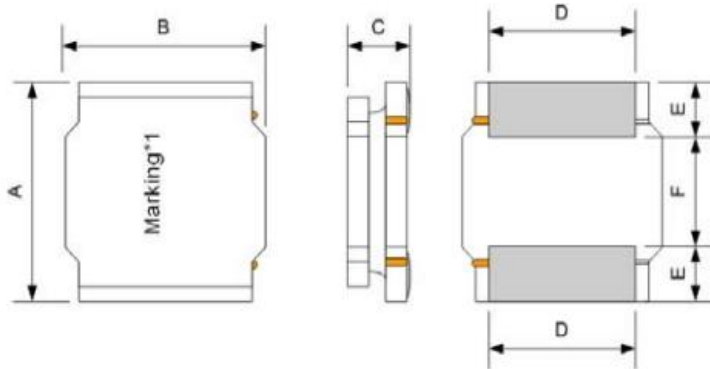
Features

- Magnetically shielded construction
- Compact and thin
- Large Current and Low DCR

Application

- DC-DC converter of portable equipment.
- Camcorder, LCD television set, Digital camera, P.D.A., Notebook.

Dimensions



Chip Size	Units:mm
A	3.00±0.20
B	3.00±0.20
C	1.5 max
D	2.5±0.2
E	0.75±0.2
F	1.5±0.2

Specifications

Part Number	Inductance (uH)	Tolerance (%)	Test Frequency (KHz)	DCR (Ω) ±20%	Isat (A) (max)	Irms (A) (max)
HNR3015-1R0N	1.0	30	1V/100	0.030	2.20	2.20
HNR3015-1R5N	1.5	30	1V/100	0.040	2.00	2.00
HNR3015-2R2M	2.2	20	1V/100	0.060	1.70	1.70
HNR3015-3R3M	3.3	20	1V/100	0.080	1.40	1.40
HNR3015-4R7M	4.7	20	1V/100	0.120	1.20	1.20
HNR3015-6R8M	6.8	20	1V/100	0.160	1.00	1.00
HNR3015-100M	10	20	1V/100	0.220	0.75	0.80
HNR3015-150M	15	20	1V/100	0.320	0.65	0.70
HNR3015-220M	22	20	1V/100	0.460	0.55	0.60
HNR3015-330M	33	20	1V/101	0.800	0.40	0.45
HNR3015-470M	47	20	1V/102	1.200	0.35	0.40

Note:

Isat:Based on inductance change ($\Delta L/L_0 \leq 30\%$)@ambient temp. 25°C

Irms:Based on temperature rise ($\Delta T:40^\circ\text{C typ}$)

Sealed Type Power Inductors HNR 4010 Series



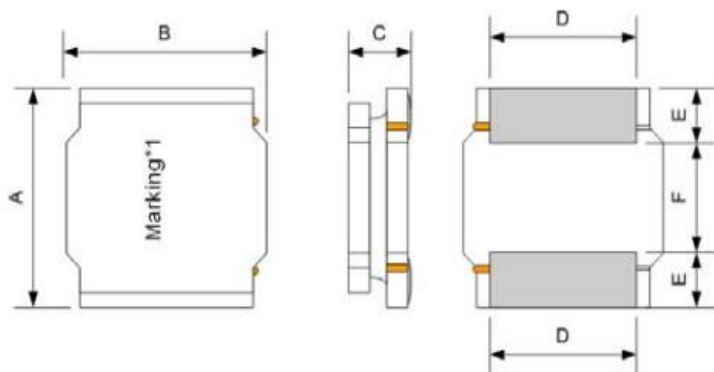
Features

- Magnetically shielded construction
- Compact and thin
- Large Current and Low DCR

Application

- DC-DC converter of portable equipment.
- Camcorder, LCD television set, Digital camera, P.D.A., Notebook.

Dimensions



Chip Size	Units:mm
A	4.00±0.20
B	4.00±0.20
C	1.0 max
D	3.3±0.2
E	0.95±0.2
F	2.1±0.2

Specifications

Part Number	Inductance (uH)	Tolerance (%)	Test Frequency (KHz)	DCR (Ω) ±20%	Isat (A) (max)	Irms (A) (max)
HNR4010-1R0N	1.0	30	1V/100	0.056	2.00	1.90
HNR4010-2R2M	2.2	20	1V/100	0.085	1.20	1.50
HNR4010-3R3M	3.3	20	1V/100	0.100	1.10	1.40
HNR4010-4R7M	4.7	20	1V/100	0.140	0.95	1.20
HNR4010-6R8M	6.8	20	1V/100	0.200	0.80	1.00
HNR4010-100M	10	20	1V/100	0.300	0.62	0.75
HNR4010-150M	15	20	1V/100	0.430	0.54	0.60
HNR4010-220M	22	20	1V/100	0.570	0.45	0.50

Note:

Isat:Based on inductance change ($\Delta L/L_0 \leq 30\%$)@ambient temp. 25°C

Irms:Based on temperature rise ($\Delta T:40^\circ\text{C typ}$)

Sealed Type Power Inductors HNR 4012 Series



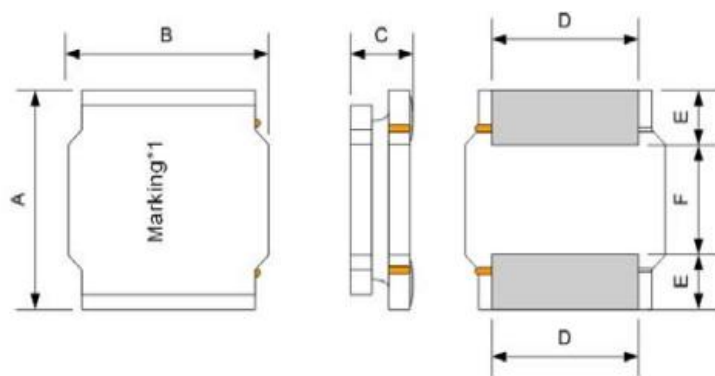
Features

- Magnetically shielded construction
- Compact and thin
- Large Current and Low DCR

Application

- DC-DC converter of portable equipment.
- Camcorder, LCD television set, Digital camera, P.D.A., Notebook.

Dimensions



Chip Size	Units:mm
A	4.00±0.20
B	4.00±0.20
C	1.2 max
D	3.3±0.2
E	0.95±0.2
F	2.1±0.2

Specifications

Part Number	Inductance (uH)	Tolerance (%)	Test Frequency (KHz)	DCR (Ω) ±20%	Isat (A) (max)	Irms (A) (max)
HNR4012-1R0N	1.0	30	1V/100	0.042	2.80	2.20
HNR4012-2R2M	2.2	20	1V/100	0.060	1.65	1.90
HNR4012-3R3M	3.3	20	1V/100	0.070	1.40	1.70
HNR4012-4R7M	4.7	20	1V/100	0.095	1.20	1.50
HNR4012-6R8M	6.8	20	1V/100	0.125	0.90	1.30
HNR4012-100M	10	20	1V/100	0.170	0.80	1.10
HNR4012-150M	15	20	1V/100	0.260	0.65	0.75
HNR4012-220M	22	20	1V/100	0.400	0.50	0.62

Note:

Isat:Based on inductance change ($\Delta L/L_0 \leq 30\%$)@ambient temp. 25°C

Irms:Based on temperature rise ($\Delta T:40^\circ\text{C typ}$)

Sealed Type Power Inductors HNR 4018 Series



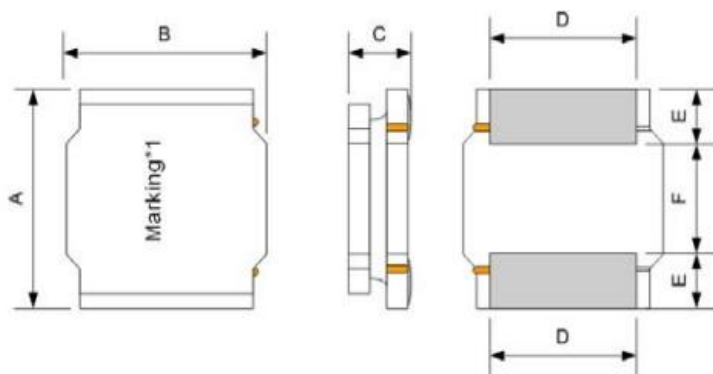
Features

- Magnetically shielded construction
- Compact and thin
- Large Current and Low DCR

Application

- DC-DC converter of portable equipment.
- Camcorder, LCD television set, Digital camera, P.D.A., Notebook.

Dimensions



Chip Size	Units:mm
A	4.00±0.20
B	4.00±0.20
C	1.8 max
D	3.3±0.2
E	0.95±0.2
F	2.1±0.2

Specifications

Part Number	Inductance (uH)	Tolerance (%)	Test Frequency (KHz)	DCR (Ω) ±20%	Isat (A) (max)	Irms (A) (max)
HNR4018-1R0N	1.0	30	1V/100	0.027	4.00	3.20
HNR4018-1R5N	1.5	30	1V/100	0.030	3.35	1.80
HNR4018-2R2M	2.2	20	1V/100	0.042	3.00	2.20
HNR4018-3R3M	3.3	20	1V/100	0.055	2.30	2.00
HNR4018-4R7M	4.7	20	1V/100	0.070	2.00	1.70
HNR4018-6R8M	6.8	20	1V/100	0.098	1.60	1.45
HNR4018-100M	10	20	1V/100	0.150	1.30	1.20
HNR4018-150M	15	20	1V/100	0.210	1.10	0.85
HNR4018-220M	22	20	1V/100	0.290	0.90	0.72
HNR4018-330M	33	20	1V/100	0.460	0.70	0.55

Note:

Isat:Based on inductance change ($\Delta L/L_0 \leq 30\%$)@ambient temp. 25°C

Irms:Based on temperature rise ($\Delta T:40^\circ\text{C typ}$)

Sealed Type Power Inductors HNR 5020 Series



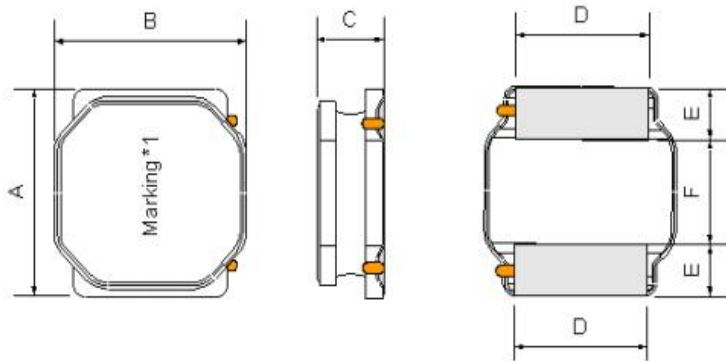
Features

- Magnetically shielded construction
- Compact and thin
- Large Current and Low DCR

Application

- DC-DC converter of portable equipment.
- Camcorder, LCD television set, Digital camera, P.D.A., Notebook.

Dimensions



Chip Size	Units:mm
A	5.0±0.20
B	5.0±0.20
C	2.0 max
D	4.0±0.2
E	1.25±0.2
F	2.5±0.2

Specifications

Part Number	Inductance (uH)	Tolerance (%)	Test Frequency (KHz)	DCR (Ω) ±20%	Isat (A) (max)	Irms (A) (max)
HNR5020-1R0N	1.0	30	1V/100	0.021	4.00	3.60
HNR5020-1R5N	1.5	30	1V/100	0.026	3.35	3.20
HNR5020-2R2N	2.2	30	1V/100	0.035	2.90	2.90
HNR5020-3R3N	3.3	30	1V/100	0.048	2.40	2.40
HNR5020-4R7M	4.7	20	1V/100	0.060	2.00	2.00
HNR5020-6R8M	6.8	20	1V/100	0.090	1.60	1.65
HNR5020-100M	10	20	1V/100	0.120	1.30	1.45
HNR5020-150M	15	20	1V/100	0.165	1.10	1.20
HNR5020-220M	22	20	1V/100	0.260	0.90	1.00

Note:

Isat:Based on inductance change ($\Delta L/L_0 \leq 30\%$)@ambient temp. 25°C

Irms:Based on temperature rise ($\Delta T:40^\circ\text{C typ}$)

Sealed Type Power Inductors HNR 5040 Series

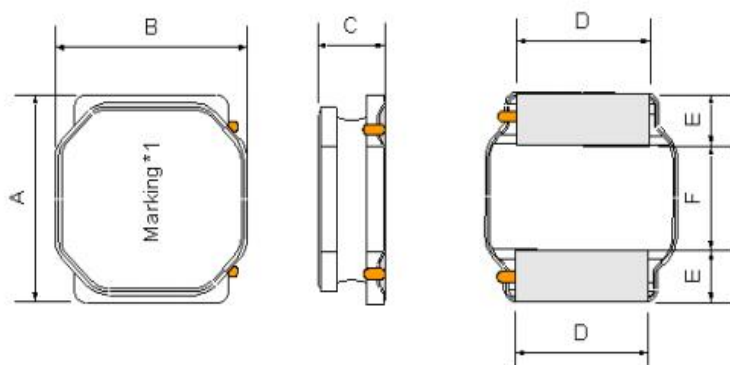


Features

- Magnetically shielded construction
- Compact and thin
- Large Current and Low DCR

Application

- DC-DC converter of portable equipment.
- Camcorder, LCD television set, Digital camera, P.D.A., Notebook.



Dimensions

Chip Size	Units:mm
A	5.0±0.20
B	5.0±0.20
C	4.1 max
D	4.0±0.2
E	1.25±0.2
F	2.5±0.2

Specifications

Part Number	Inductance (uH)	Tolerance (%)	Test Frequency (KHz)	DCR (Ω) ±20%	Isat (A) (max)	Irms (A) (max)
HNR5040-1R5N	1.5	30	1V/100	0.017	6.40	4.50
HNR5040-2R2N	2.2	30	1V/100	0.022	5.00	3.70
HNR5040-3R3N	3.3	30	1V/100	0.027	4.00	3.30
HNR5040-4R7N	4.7	30	1V/100	0.029	3.30	3.10
HNR5040-6R8M	6.8	20	1V/100	0.049	2.80	2.40
HNR5040-100M	10	20	1V/100	0.056	2.30	2.10
HNR5040-150M	15	20	1V/100	0.080	2.00	1.80
HNR5040-220M	22	20	1V/100	0.126	1.50	1.40
HNR5040-330M	33	20	1V/100	0.180	1.30	1.20
HNR5040-470M	47	20	1V/100	0.310	1.10	0.90
HNR5040-151M	150	20	1V/100	1.180	0.74	0.58

Note:

Isat:Based on inductance change ($\Delta L/L_0 \leq 30\%$)@ambient temp. 25°C

Irms:Based on temperature rise ($\Delta T:40^\circ\text{C typ}$)

Sealed Type Power Inductors HNR 6012 Series

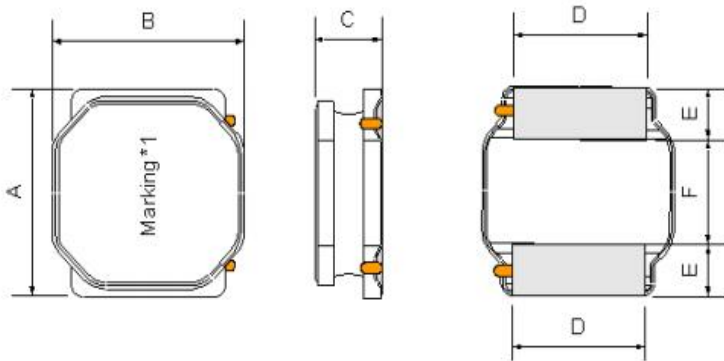


Features

- Magnetically shielded construction
- Compact and thin
- Large Current and Low DCR

Application

- DC-DC converter of portable equipment.
- Camcorder, LCD television set, Digital camera, P.D.A., Notebook.



Dimensions

Chip Size	Units:mm
A	6.00±0.20
B	6.00±0.20
C	1.2 max
D	4.9±0.3
E	1.55±0.3
F	2.5±0.3

Specifications

Part Number	Inductance (uH)	Tolerance (%)	Test Frequency (KHz)	DCR (Ω) ±20%	Isat (A) (max)	Irms (A) (max)
HNR6012-2R5N	2.5	30	1V/100	0.090	2.10	1.80
HNR6012-3R3N	3.3	30	1V/100	0.105	1.80	1.70
HNR6012-4R7M	4.7	20	1V/100	0.125	1.60	1.55
HNR6012-5R3M	5.3	20	1V/100	0.125	1.50	1.55
HNR6012-6R8M	6.8	20	1V/100	0.165	1.30	1.35
HNR6012-100M	10	20	1V/100	0.200	1.00	1.20
HNR6012-150M	15	20	1V/100	0.295	0.80	0.80
HNR6012-220M	22	20	1V/100	0.465	0.76	0.65
HNR6012-330M	33	20	1V/100	0.580	0.59	0.55
HNR6012-470M	47	20	1V/100	0.965	0.52	0.46
HNR6012-680M	68	20	1V/100	1.160	0.44	0.41
HNR6012-101M	100	20	1V/100	1.670	0.35	0.32

Note:

Isat:Based on inductance change ($\Delta L/L_0 \leq 30\%$)@ambient temp. 25°C

Irms:Based on temperature rise ($\Delta T:40^\circ\text{C typ}$)

Sealed Type Power Inductors HNR 6028 Series



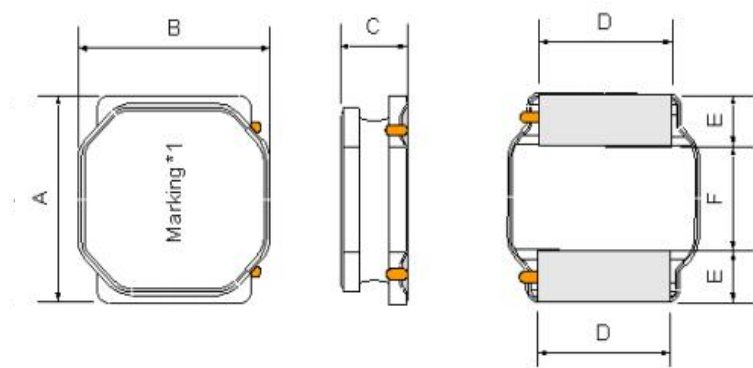
Features

- Magnetically shielded construction
- Compact and thin
- Large Current and Low DCR

Application

- DC-DC converter of portable equipment.
- Camcorder, LCD television set, Digital camera, P.D.A., Notebook.

Dimensions



Chip Size	Units:mm
A	6.00±0.20
B	6.00±0.20
C	2.8 max
D	4.9±0.3
E	1.55±0.3
F	2.5±0.3

Specifications

Part Number	Inductance (uH)	Tolerance (%)	Test Frequency (KHz)	DCR (Ω) ±20%	Isat (A) (max)	Irms (A) (max)
HNR6028-R90N	0.9	30	1V/100	0.013	6.70	4.60
HNR6028-1R5N	1.5	30	1V/100	0.016	5.10	4.20
HNR6028-2R2N	2.2	30	1V/100	0.020	4.20	3.70
HNR6028-3R0N	3.0	30	1V/100	0.023	3.60	3.40
HNR6028-4R7N	4.7	30	1V/100	0.031	2.70	3.00
HNR6028-6R0N	6.0	30	1V/100	0.040	2.50	2.50
HNR6028-100M	10	20	1V/100	0.065	1.90	1.90
HNR6028-150M	15	20	1V/100	0.095	1.60	1.80
HNR6028-220M	22	20	1V/100	0.135	1.30	1.40
HNR6028-330M	33	20	1V/100	0.220	1.10	1.10
HNR6028-470M	47	20	1V/100	0.300	1.00	0.92
HNR6028-680M	68	20	1V/100	0.420	0.80	0.77
HNR6028-101M	100	20	1V/100	0.600	0.65	0.66

Note:

Isat:Based on inductance change ($\Delta L/L_0 \leq 30\%$)@ambient temp. 25°C

Irms:Based on temperature rise ($\Delta T:40^\circ\text{C typ}$)

Sealed Type Power Inductors HNR 6045 Series



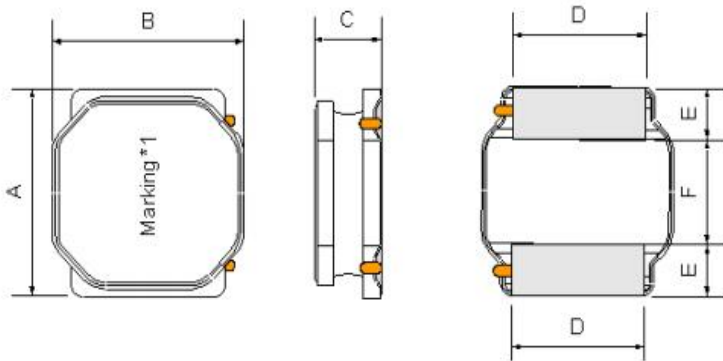
Features

- Magnetically shielded construction
- Compact and thin
- Large Current and Low DCR

Application

- DC-DC converter of portable equipment.
- Camcorder, LCD television set, Digital camera, P.D.A., Notebook.

Dimensions



Chip Size	Units:mm
A	6.00±0.20
B	6.00±0.20
C	4.5 max
D	4.9±0.3
E	1.55±0.3
F	2.5±0.3

Specifications

Part Number	Inductance (uH)	Tolerance (%)	Test Frequency (KHz)	DCR (Ω) ±20%	Isat (A) (max)	Irms (A) (max)
HNR6045-1R0N	1.0	30	1V/100	0.010	11.70	6.57
HNR6045-1R5M	1.5	20	1V/100	0.012	10.80	5.94
HNR6045-2R2M	2.2	20	1V/100	0.014	8.55	4.68
HNR6045-3R3M	3.3	20	1V/100	0.021	7.02	3.96
HNR6045-4R7M	4.7	20	1V/100	0.026	6.12	3.60
HNR6045-6R8M	6.8	20	1V/100	0.031	5.13	2.97
HNR6045-100M	10	20	1V/100	0.048	4.14	2.34
HNR6045-150M	15	20	1V/100	0.068	3.42	1.98
HNR6045-220M	22	20	1V/100	0.089	2.97	1.71
HNR6045-330M	33	20	1V/100	0.145	1.50	1.40
HNR6045-470M	47	20	1V/100	0.220	1.30	1.10
HNR6045-680M	68	20	1V/100	0.330	1.00	0.90
HNR6045-101M	100	20	1V/100	0.500	0.80	0.70

Note:

Isat:Based on inductance change ($\Delta L/L_0 \leq 30\%$)@ambient temp. 25°C

Irms:Based on temperature rise ($\Delta T:40^\circ\text{C typ}$)

Sealed Type Power Inductors HNR 8040 Series



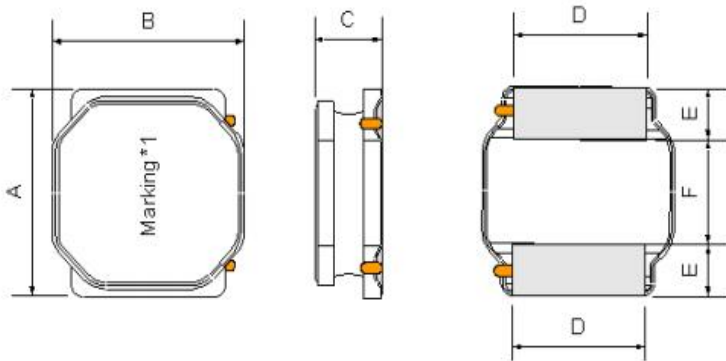
Features

- Magnetically shielded construction
- Compact and thin
- Large Current and Low DCR

Application

- DC-DC converter of portable equipment.
- Camcorder, LCD television set, Digital camera, P.D.A., Notebook.

Dimensions



Chip Size	Units:mm
A	8.00±0.20
B	8.00±0.20
C	4.0 max
D	6.3±0.3
E	2.0±0.3
F	4.0±0.3

Specifications

Part Number	Inductance (uH)	Tolerance (%)	Test Frequency (KHz)	DCR (Ω) ±20%	Isat (A) (max)	Irms (A) (max)
HNR8040-R90M	0.9	20	1V/100	0.006	12.42	7.24
HNR8040-1R4M	1.4	20	1V/100	0.007	9.72	7.02
HNR8040-2R0M	2.0	20	1V/100	0.009	8.64	6.66
HNR8040-2R2M	2.2	20	1V/100	0.012	8.28	6.48
HNR8040-3R3M	3.3	20	1V/100	0.015	6.75	5.40
HNR8040-4R7M	4.7	20	1V/100	0.018	5.40	4.95
HNR8040-6R8M	6.8	20	1V/100	0.024	4.86	4.59
HNR8040-100M	10	20	1V/100	0.029	3.87	3.42
HNR8040-150M	15	20	1V/100	0.047	3.24	2.88
HNR8040-220M	22	20	1V/100	0.069	2.52	2.34
HNR8040-330M	33	20	1V/100	0.100	1.90	1.70
HNR8040-470M	47	20	1V/100	0.150	1.70	1.40
HNR8040-680M	68	20	1V/100	0.196	1.20	1.10
HNR8040-101M	100	20	1V/100	0.290	1.00	1.00

Note:

Isat:Based on inductance change ($\Delta L/L_0 \leq 30\%$)@ambient temp. 25°C

Irms:Based on temperature rise ($\Delta T:40^\circ\text{C typ}$)